

# Formwork Tables

FORMWORK



PRODUCTIVITY | SAFETY | STURDINESS | LARGE SURFACES

FOR LARGE SURFACES  
AND BALCONIES

**Alphi**  
Formwork and solutions

Formwork tables | For large surfaces and balconies





## Formwork Tables

Alphi formwork tables are used for formwork on **large surfaces** or **balconies**. They can be adapted to all construction site configurations.

According to the required use and strength, they will be associated with **steel props** compliant with the EN 1065 standard or with **aluminium props** compliant with the EN 16031 standard.

Very **stiff** and very **stable**, they can create formwork of up to 6 m in depth.

The **AlphiSafe** collective protection system further ensures worker safety.



*Site:*  
*La Germandrée -*  
*Housing*  
*Client: Yilbat*  
*Location: Narbonne*

*Left*

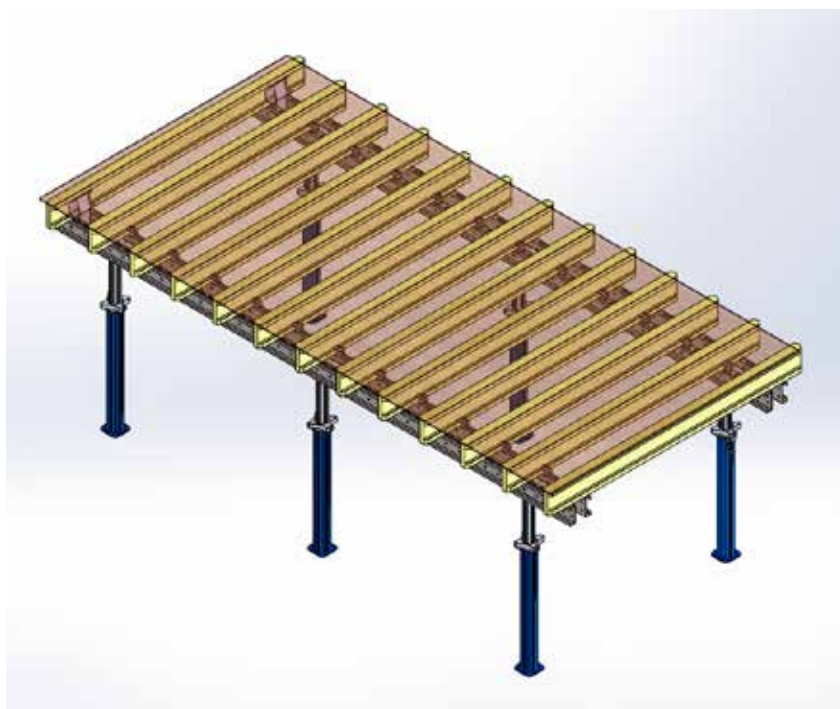
*Site in Switzerland*  
*Client: Induni*  
*Location: Geneva*

*Right*

## Formwork tables | For large surfaces and balconies

### PRODUCTIVITY

- Reduction in fitting, formwork removal and handling time.
- The table formwork surface created can reach 6 m in depth for a variable width.
- Cast concrete thickness: up to 80 cm.
- The balcony table is used from depths of 1.30 m.
- The robustness of the system enables a high number of reuses.



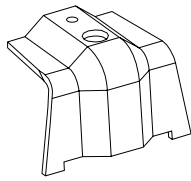



### SAFETY

- The AlphiSafe collective safety system can be adapted to all formwork tables.
- The lifting beam required for handling the tables is self-stabilising.
- Clamps, push-pull props, frames and straps help achieve optimal stability when the table is in place.


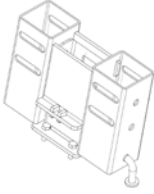



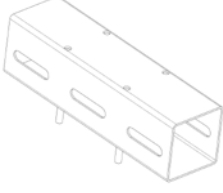
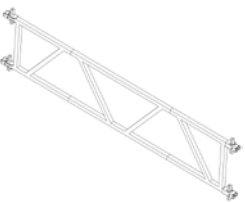
# COMPONENTS

Elements	Double C steel die (primary support)	Length (m)	Weight (kg)	Profile inertia (I) (cm <sup>4</sup> )	Allowable moment (kN.m)	Max. allowable shear force (kN)
		1.00	14.10	498	14.5*	88*
		2.50	33.75			
		4.00	54.00			
		5.00	66.90			
		6.00	79.70			
	H2O timber secondary beam	Standard lengths (m)	Weight (kg/m)	Max. allowable bending moment (kN.m)	Max. allowable shear force (kN)	
		1.95	4.70	5***	11***	
		2.45				
		2.90				
3.30**						
3.60**						
3.90						
4.90**						
Mounting clip	Description	*As per Eurocodes 0 and 3 **For sale only ***As per NF P 93-221 standard				
	<ul style="list-style-type: none"> <li>Fastened with screw and Nylstop nut</li> <li>For securing H2O</li> </ul>					
Reinforcement bracket	Description					
	<ul style="list-style-type: none"> <li>H2O secondary beam connection on steel die</li> <li>Used to increase the stiffness of the formwork table</li> </ul>					




# Formwork tables

## COMPONENTS





For standard load support	Steel prop	Height (m)	Strength	Standard
		from 2.50 to 5.00	Strength classes A to E	Compliant with EN 1065 and NF P 93-221 standards
	Connecting head	Description		
	<ul style="list-style-type: none"> <li>Used for tilting props to pass over collective protections, with inclined or vertical locking</li> </ul>			

For strong load support	Aluminium prop	Height (m)	Strength	Standard
		from 2.00 to 6.20	Strength classes D to U	Compliant with EN 16031 standard
	Mounting housing on die	Description		
		<ul style="list-style-type: none"> <li>Used to fix the prop head, thereby increasing loads and stability</li> </ul>		
	Connecting frame	Dimensions w x h (m)	Weight (kg)	
		1.20 x 0.50	10.70	
	1.60 x 0.50	14.30		
	1.90 x 0.50	17.00		
	2.10 x 0.50	18.70		
	2.30 x 0.50	20.50		
	2.50 x 0.50	22.30		

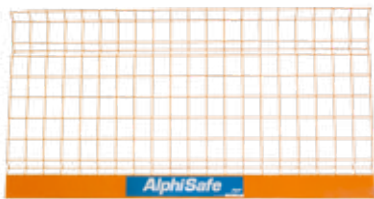



## FORMWORK TABLE ACCESSORIES

Additional	Formwork table clamp	Description		
		<ul style="list-style-type: none"> <li>Used to fasten the formwork table to the skin (anti-recoil)</li> </ul>		
	Push-pull prop	Description		
		<ul style="list-style-type: none"> <li>Withstands both tensile and compressive forces, for optimal stabilisation</li> </ul>		
Shifting trolley	Dimensions L x W x H (m)	Lifting height (m)	Maximum load (kN)	
	1.80 x 1.20 x 1.90	0.90	10	

## FORMWORK TABLE ACCESSORIES

Handling	Lifting beam	Maximum allowable load (kN)	Description
		15	<ul style="list-style-type: none"> <li>Suitable for handling 5 m tables</li> <li>Other lifting beams may be used according to table size</li> </ul>
	Lifting beam table lock	Description	
		<ul style="list-style-type: none"> <li>Hot-dip galvanised</li> </ul>	
	Base strike-down tool	Weight (kg)	Maximum allowable load (kN)
		6.00	100
	Aluminium prop setting key	Weight (kg)	Description
		1.50	<ul style="list-style-type: none"> <li>Facilitates formwork strike-down and makes it possible to avoid hammer use</li> </ul>



Safety	Mesh*		Dimensions w x h (m)	Weight (kg)	Description
			1.25 x 1.30	7.60	<ul style="list-style-type: none"> <li>The wire mesh is galvanised, with polyester powder coating</li> </ul>
			2.40 x 1.30	13.90	
			2.50 x 1.30	14.50	
	Galvanised post*		Cross-section (cm <sup>2</sup> )	Height (m)	Weight (kg)
			3.5 x 3.5	1.34	3.50
	Alpha formwork adapters*		Weight (kg) Die adapter	Weight (kg) Timber beam adapter	
Die adapter	Timber beam adapter	2.20	6.60		
					
*Compliant with EN 13374 standard					

ALPHI, THE LEADING FRENCH MANUFACTURER OF SLAB FORMWORK



Ideal for large surfaces and balconies, Alphi formwork tables can be adapted to all construction site configurations, while offering high stability.

**Savoie Hexapole, Actipole 5** - Rue Maurice Herzog  
73420 Viviers-du-Lac  
FRANCE

Tel. +33 (0)4 79 61 85 90 - Fax +33 (0)4 79 61 85 99 - [info@alphi.fr](mailto:info@alphi.fr)

Design Office: Tel. +33 (0)4 79 61 85 91 - [be@alphi.fr](mailto:be@alphi.fr)

Logistics Department: Tel. +33 (0)4 79 61 85 92

**Alphi**  
Formwork and solutions

Designed in France 

[www.alphi.fr](http://www.alphi.fr)